

Power supplies. Versatile and compact.



ROHDE & SCHWARZ

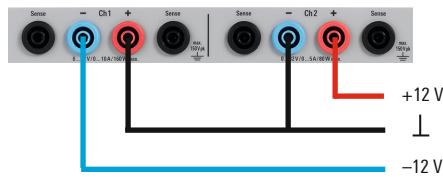


Unique features for better results

Galvanically isolated, floating channels

The Rohde&Schwarz power supply family consists of instruments with up to four channels. The circuitry of each single channel is completely isolated from the others; there is no connection to chassis ground. This makes it easy to combine the channels to drive bipolar circuitries that might need +12 V/-12 V, for example, and avoids any ground problems in complex DUTs.

Supplying bipolar circuits



Two channels can be connected together to supply bipolar circuits with e.g. +12 V/-12 V.

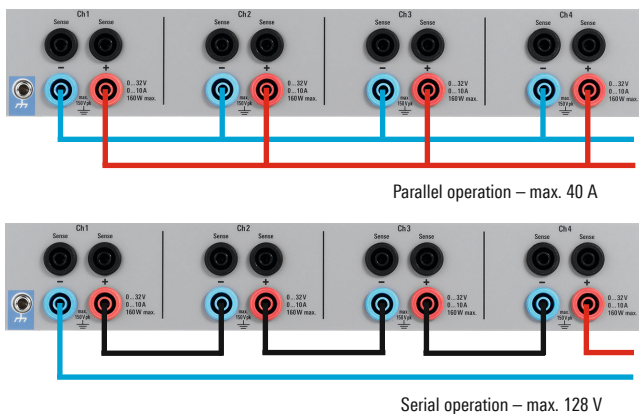
Channels have the same voltage range

Most of the Rohde&Schwarz power supplies offer the same voltage range on all channels. You can select any channel for a specific application. Each channel can be regarded as a separate power supply.

Parallel and serial operation

Because channels are electrically equivalent, they can be combined in serial mode to achieve higher voltages. Up to 128 V can be achieved with the R&S®HMP4040, for instance. In parallel mode, the channels can be bundled for higher current. As an example, up to 40 A can be achieved when all four channels of the R&S®HMP4040 are combined.

Parallel and serial operation



The output channels can be configured in parallel to achieve higher output current, or in series for higher output voltage (example: R&S®HMP4040).

Constant voltage and constant current modes

Configuring and regulating the output voltage (constant voltage mode) is the standard application for power supplies. However, all Rohde&Schwarz power supplies can also be used in constant current mode, with each channel separately configurable. If the configured current level is exceeded, current limiting ensures that only the configured current can flow. The output voltage is accordingly reduced below the configured value. This prevents damage to the test circuit in the event of a fault.

Protection functions to safeguard instrument and DUT

Since even the most experienced user is occasionally distracted, the outputs are protected against overloads and short circuits so that the power supply will not be damaged.

Rohde&Schwarz power supplies provide multi-purpose protection functions. Depending on the model, users can separately configure for each channel the:

- Maximum current (electronic fuse, overcurrent protection, OCP)
- Maximum voltage (overvoltage protection, OVP)
- Maximum power (overpower protection, OPP)

If such a limit is reached, the affected output channel will be automatically switched off and a message will be displayed.

Even the delay time of the electronic fuses can be set. With this functionality, you can adjust the behavior of the power supply so that short current spikes do not trip the electronic fuse.

Of course the Rohde&Schwarz power supplies have internal overtemperature protection that switches off the instrument if there is an imminent risk of thermal overload.

Tracking and link functions

When using the instrument to supply bipolar circuits, for example, the convenient tracking function lets you vary the voltage on all channels in parallel.

The overcurrent protection can be linked to other channels (FuseLink function). It can be configured to switch off all channels when one of the channels reaches its limit value. It can also be configured so that certain channels remain active, for example to power the fan that cools the DUT.

Color coding of operating states

All settings and operating conditions, including the output power and the status of any protective functions, are indicated on the display. The colors of the values and the illuminated channel keys indicate the different operating conditions:

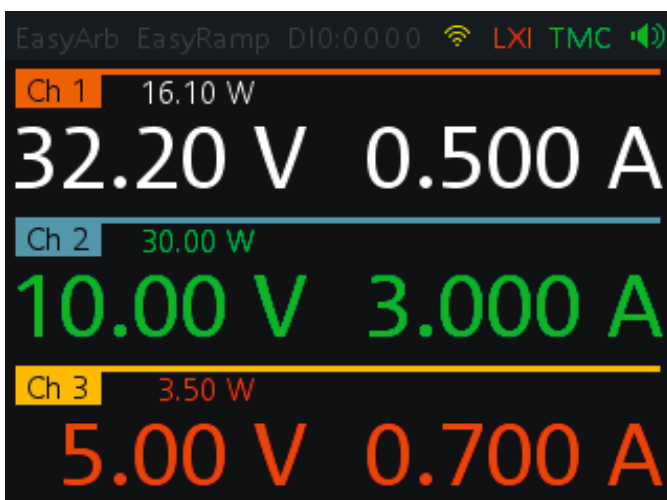
- Active channel in constant voltage mode: green
- Active channel in constant current mode: red
- The “Output” key lights up when the selected output channels are connected to the load

Tailored for use in labs and system racks

Rohde&Schwarz power supplies cover a wide range of applications – when used on the lab bench and when integrated into a production test system.

Remote control functions and rack adapters are essential in system applications. Rear panel connectors and, above all, the compact design are key factors for use in test systems.

The Rohde&Schwarz power supplies fulfill all these requirements – in particular the R&S®HMP4040, which uniquely combines four electronically equivalent high-performance channels in a compact package.



The different operating conditions are indicated by colors (example: R&S®NGE103B):

- Green: constant voltage operation
- Red: constant current operation
- White: inactive channels

Sense function for more stringent accuracy requirements

There is often a significant voltage drop over the connection leads, especially in applications with high current consumption. Since power supplies usually maintain a constant output voltage, the voltage on the DUT will be lower than the voltage displayed on the instrument. The sense function compensates for this voltage drop over the supply leads. The voltage actually present at the load is measured by an additional pair of sense lines, and this value is used to regulate the voltage directly at the load. Depending on the model, the Rohde&Schwarz power supplies provide sense lines for each output channel.

Two quadrants: operates as source and sink

The specialty power supplies offer two-quadrant architecture. This feature allows them to function both as a source and a sink and simulate batteries or loads. The power supply automatically switches from supply mode to load mode. As soon as the externally applied voltage exceeds the set nominal voltage, current flows into the power supply. This is indicated by a negative current reading.



Connections for all channels – including sense lines – are also provided on the rear panel (example: R&S®HMP4040)

Power supply portfolio



R&S®	Basic HM7042-5	NGE102B/103B	HMC8041/8042/8043
Electrical specifications			
Number of output channels	3	2/3	1/2/3
Total output power	max. 155.5 W	max. 66 W/100 W	max. 100 W
Maximum output power per channel	CH1, CH3: 64 W ¹⁾ ; CH2: 27.5 W	33.6 W	100 W/50 W/33 W
Output voltage per channel	CH1, CH3: 0 V to 32 V; CH2: 0 V to 5.5 V	0 V to 32 V	0 V to 32 V
Maximum output current per channel	CH1, CH3: 2 A; CH2: 5 A	3 A	10 A/5 A/3 A
Voltage ripple and noise (20 Hz to 20 MHz)	< 1 mV (RMS) (meas.)	typ. < 1.5 mV (RMS)	R&S®HMC8041: < 1 mV (RMS); R&S®HMC8042/43: < 450 µV (RMS)
Current ripple and noise (20 Hz to 20 MHz)	< 1 mA (RMS) (meas.)	< 2 mA (RMS) (meas.)	R&S®HMC8041: < 1.5 mA (RMS) (meas.); R&S®HMC8042/43: < 1 mA (RMS) (meas.)
Load recovery time ²⁾	< 30 µs (meas.)	< 200 µs (meas.)	< 1 ms (meas.)
Programming/readback resolution			
Voltage	10 mV	10 mV	1 mV
Current	CH1, CH3: 1 mA; CH2: 10 mA	1 mA	< 1 A: 0.1 mA (R&S®HMC8041: 0.5 mA); ≥ 1 A: 1 mA
Readback accuracy (± (% of output + offset))			
Voltage	< 0.1% + 30 mV	< 0.1% + 20 mV	< 0.05% + 2 mV
Current	CH1, CH3: < 0.1% + 4 mA; CH2: < 0.1% + 40 mA	< 0.1% + 5 mA	typ. < 0.05% + 4 mA (R&S®HMC8041: typ. < 0.15% + 10 mA)
Special functions			
Measurement functions	voltage, current	voltage, current, power	voltage, current, power, energy
Protection functions	OCF	OVP, OCP, OPP, OTP	OVP, OCP, OPP, OTP
FuseLink function	always linked	●	●
Fuse delay at output-on	–	●	●
Sense function	–	–	●
Sink mode	–	–	–
Output sequencing	–	–	●
Trigger input/output	–	○	●
Arbitrary function	–	● (CH1: EasyArb)	● (EasyArb)
Analog/modulation interface	–	–	●
Data logging	–	–	●
Display and interfaces			
Display	7-segment LED	3.5" QVGA	3.5" QVGA
Rear panel connections	–	–	connector block with 4 lines per channel
Remote control interfaces	–	standard: USB; optional: LAN, WLAN	standard: USB, LAN; R&S®HMC804x-G models with IEEE-488 (GPIB)
General data			
Dimensions (W × H × D)	285 × 90 × 388 mm	222 × 97 × 310 mm	222 × 97 × 291 mm
Weight	7.0 kg	4.9 kg/5.0 kg	2.6 kg
Rack adapter	R&S®HZ42 option	R&S®HZC95 option	R&S®HZC95 option

¹⁾ CH: channel.

²⁾ 10% to 90% load change within a band of ± 20 mV of set voltage.



Performance HMP2020/2030	HMP4030/4040	Specialty HM8143	NGL201/NGL202
2/3	3/4	3	1/2
max. 188 W 80 W; except R&S®HMP2020, CH1: 160 W	max. 384 W 160 W	max. 130 W CH1, CH3: 60 W; CH2: 10 W	max. 60 W/120 W 60 W
0 V to 32 V	0 V to 32 V	CH1, CH3: 0 V to 30 V; CH2: 5 V (±50 mV)	0 V to 20 V
5 A; except R&S®HMP2020, CH1: 10 A	10 A	2 A	≤ 6 V output voltage: 6 A; > 6 V output voltage: 3 A
< 1.5 mV (RMS) (meas.)	< 1.5 mV (RMS) (meas.)	CH1, CH3: < 1 mV (RMS) (meas.)	< 500 μV (RMS); < 2 mV (V _{pp}) (meas.)
< 1 mA (RMS) (meas.)	< 1 mA (RMS) (meas.)	CH1, CH3: < 1 mA (RMS) (meas.)	< 1 mA (RMS) (meas.)
< 1 ms (meas.)	< 1 ms (meas.)	< 45 μs (meas.)	< 30 μs (meas.)
1 mV < 1 A: 0.1 mA (10 A CH: 0.2 mA); ≥ 1 A: 1 mA	1 mV < 1 A: 0.2 mA; ≥ 1 A: 1 mA	CH1, CH3: 10 mV CH1, CH3: 1 mA	1 mV/10 μV 0.1 mA/10 μA
< 0.05% + 5 mV < 0.1% + 2 mA	< 0.05% + 5 mV < 0.1% + 2 mA	CH1, CH3: < 0.1% + 30 mV CH1, CH3: < 0.1% + 30 mA	< 0.02% + 2 mV < 0.05% + 250 μA
voltage, current OVP, OCP, OTP	voltage, current OVP, OCP, OTP	voltage, current OCP, OTP	voltage, current, power, energy OVP, OCP, OPP, OTP
•	•	always linked	•
•	•	–	•
•	•	• (CH1, CH3)	•
–	–	• (CH1, CH3)	•
–	–	–	•
–	–	• (CH1, CH3)	○
• (EasyArb)	• (EasyArb)	• (CH1)	• (QuickArb)
–	–	• (CH1, CH3)	–
–	–	–	•
240 × 64 pixel LCD	240 × 128 pixel LCD	4 × 4 digits, 7-segment LEDs	TFT 5" 800 pixel × 480 pixel WVGA touch
connector block with 4 lines per channel standard: USB, LAN; optional: IEEE-488 (GPIB), RS-232	connector block with 4 lines per channel standard: USB, LAN; optional: IEEE-488 (GPIB), RS-232	– standard: RS-232, USB; alternatively: IEEE-488 (GPIB)	8-pin connector block per channel standard: USB, LAN; optional: WLAN, IEEE-488 (GPIB)
285 × 93 × 405 mm	285 × 136 × 405 mm	285 × 90 × 395 mm	222 × 97 × 436 mm
7.8 kg/8.0 kg	12.4 kg/12.8 kg	9 kg	7.1 kg/7.3 kg
R&S®HZ42 option	R&S®H2P91 option	R&S®HZ42 option	R&S®H2N96 option

Different power supply classes



R&S®NGE103B power supply



R&S®HMP2030 three-channel power supply and

R&S®HMP4040 four-channel power supply



R&S®NGL202 two-channel power supply

Basic power supplies

- Economical, quiet and stable instruments
- For manual operation and simple computer-controlled operation
- Used in education, on the bench and in system racks

Performance power supplies

- When speed, accuracy and advanced programming features are factors in test performance
- Features such as DUT protection, fast programming times and downloadable V and I sequences
- Used in labs and ATE applications

Specialty power supplies

- Tailored to specific applications
- Unique features such as
 - Emulation of the unique characteristics of a battery
 - Electronic loads to accurately sink current and dissipate power in a controlled manner
- Used in labs and ATE environments

Connectivity – everything you need

Rohde & Schwarz power supplies offer a variety of interfaces to remotely control the instruments or to connect external devices. Depending on the model, different types of interfaces are provided.

- USB: The instrument can be controlled from external PCs. Rohde & Schwarz power supplies support VCP/CDC and some also support TMC
- LAN (Ethernet): To control the power supplies, a fixed IP address can be used, or alternatively, the DHCP function could be used to allocate dynamic IP addresses. Some instruments support LXI
- WLAN¹⁾: This option allows the instrument to connect to a network without the need for cables
- IEEE-488: Most Rohde & Schwarz power supplies can be equipped with an IEEE-488 (GPIB) interface
- RS-232: To support existing environments
- Digital in/out interfaces are provided by a selection of instruments and can be individually used as trigger inputs or outputs

¹⁾ The WLAN functionality is not available in all regions due to country-specific regulations.



Service that adds value

- | Worldwide
- | Local and personalized
- | Customized and flexible
- | Uncompromising quality
- | Long-term dependability

www.rohde-schwarz.com

Regional contact

- | Europe, Africa, Middle East | +49 89 4129 12345
customersupport@rohde-schwarz.com
- | North America | 1 888 TEST RSA (1 888 837 87 72)
customer.support@rsa.rohde-schwarz.com
- | Latin America | +1 410 910 79 88
customersupport.la@rohde-schwarz.com
- | Asia Pacific | +65 65 13 04 88
customersupport.asia@rohde-schwarz.com
- | China | +86 800 810 82 28 | +86 400 650 58 96
customersupport.china@rohde-schwarz.com

R&S® is a registered trademark of Rohde&Schwarz GmbH&Co. KG

Trade names are trademarks of the owners

PD 5215.9854.32 | Version 02.00 | February 2019 (sk)

Power supplies. Versatile and compact.

Data without tolerance limits is not binding | Subject to change

© 2018 - 2019 Rohde&Schwarz GmbH&Co. KG | 81671 Munich, Germany



5215985432